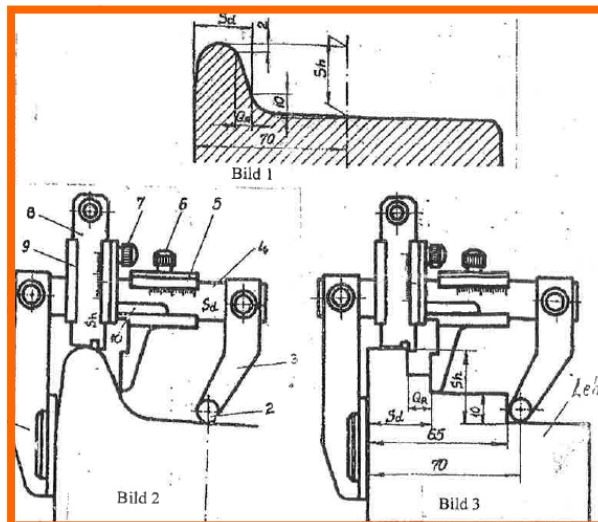


# Track gauges

## Wheels wear rail gauge

Measuring device used for checking the wear of the rail wheels. It is supplied in a wooden case, that is used for transporting and storing it safely. Each device is supplied with a calibration certificate.



### Technical data

Item		ATTR2308
Max. dimensions	mm	120 x 120
Weight	kg	0,5
Dimensions of the wooden case	mm	160 x 160